

TRAILER/ LIFT SPECIFICATIONS

MODEL: **180 Viper**

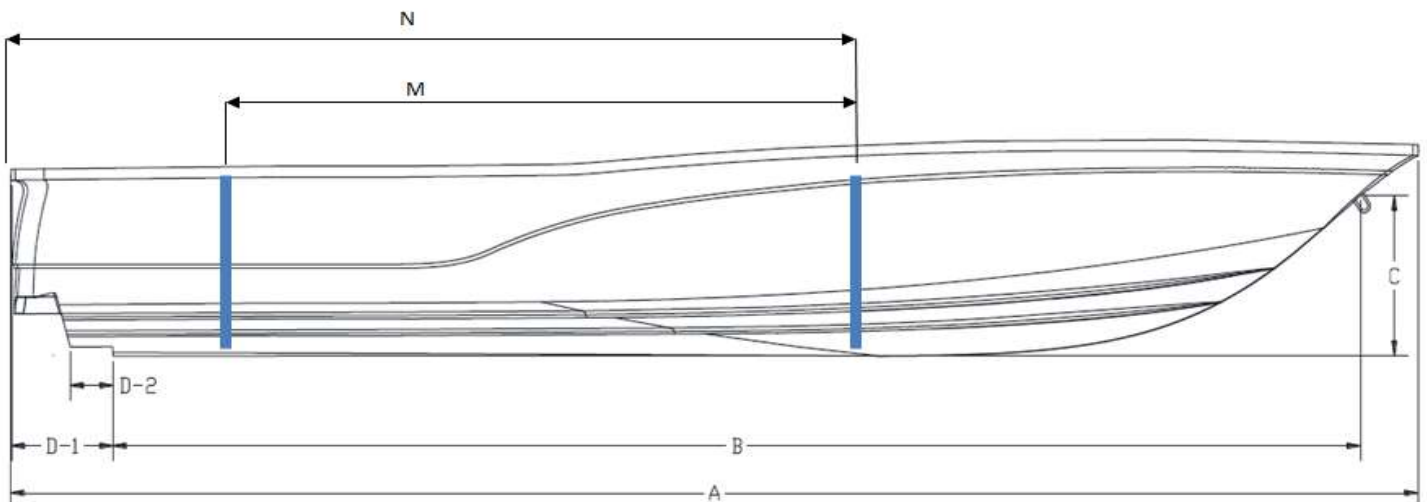
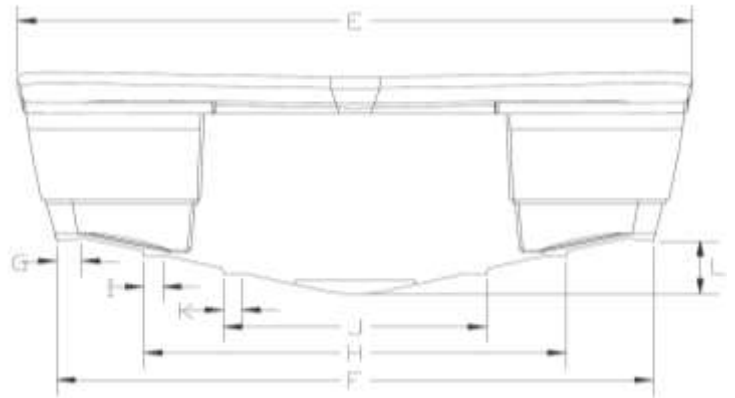
SEAFOX
BOAT WORKS

GENERAL SPECIFICATIONS		
L.O.A.:	217	IN.
BEAM:	96	IN.
WEIGHT LESS ENGINE:	1700	LBS.
WEIGHT MAX:	2500	LBS.
DEADRISE:	15	DEG.
DRAFT:	13	IN.
TRANSOM ANGLE:	15	DEG.
TRANSOM HEIGHT:	25	IN.
PERSONS CAP.:	6	PERSONS
PERS/LBS. GEAR:	1500	LBS.
MAX. HORSEPOWER:	115	HP



TRAILER SPECIFICATIONS			
DESCRIPTION	DIM.	UM	KEY
L.O.A.:	217	IN.	A
KEEL LENGTH:	200	IN.	B
HEIGHT, KEEL TO BOW EYE:	29	IN.	C
TRANSOM TO INNER STRAKE	15	IN.	D-1
STEP AT KEEL	2	IN.	D-2
BEAM, FULL:	96	IN.	E
TRANSOM WIDTH AT CHINES:	82	IN.	F
CHINE WIDTH:	4	IN.	G
BEAM, OUTER STRAKE WIDTH:	56	IN.	H
OUTER STRAKE WIDTH:	3	IN.	I
BEAM, INNER STRAKE:	34-3/4	IN.	J
INNER STRAKE WIDTH:	3	IN.	K
VERTICAL DIM., KEEL TO CHINE	9-1/4	IN.	L
STRAP LOCATION AFT:	100	IN.	M.
STRAP LOCATON FRONT:	124	IN.	N.

DRAWINGS FOR REFERENCE ONLY NOT TO SCALE



TRAILER/ LIFT SPECIFICATIONS

MODEL: **200 Viper**

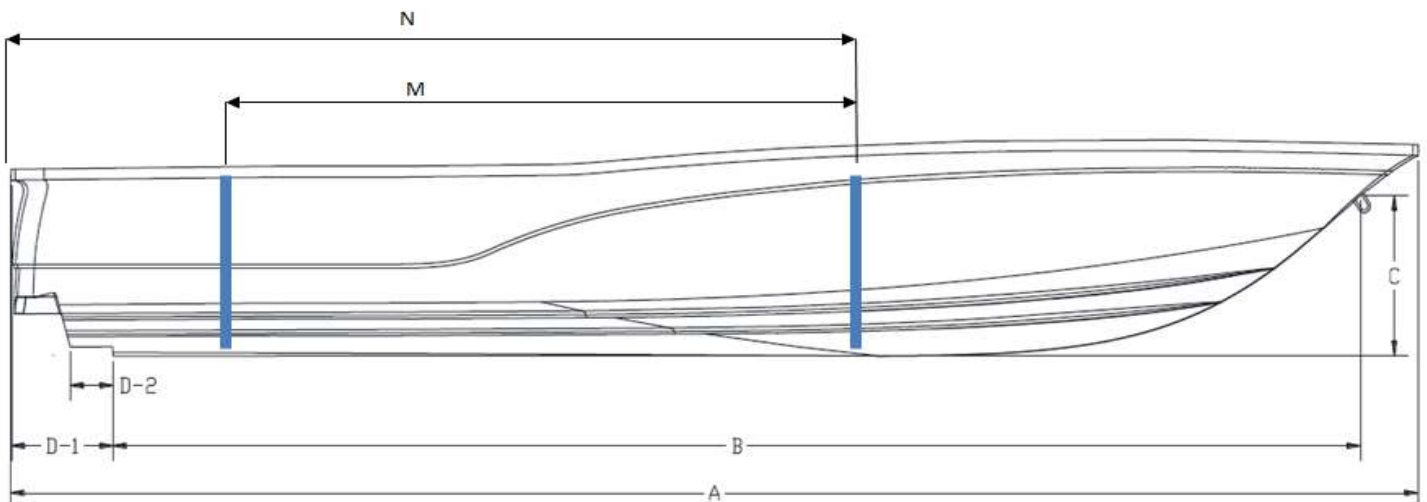
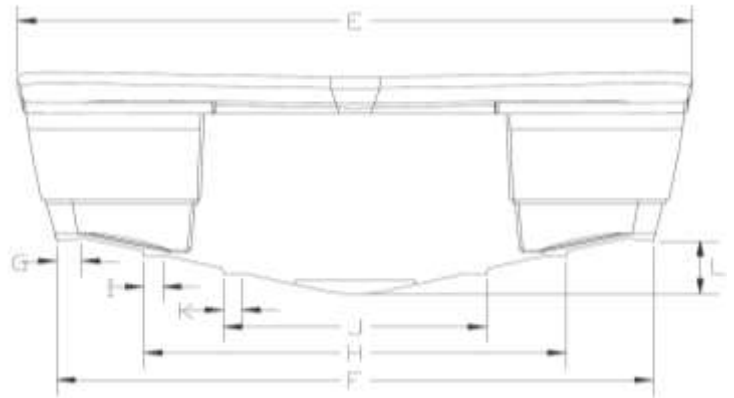
SEA FOX
BOAT WORKS

GENERAL SPECIFICATIONS		
L.O.A.:	241	IN.
BEAM:	96	IN.
WEIGHT LESS ENGINE:	2000	LBS.
WEIGHT MAX:	2700	LBS.
DEADRISE:	15	DEG.
DRAFT:	13	IN.
TRANSOM ANGLE:	15	DEG.
TRANSOM HEIGHT:	25	IN.
PERSONS CAP.:	6	PERSONS
PERS/LBS. GEAR:	1500	LBS.
MAX. HORSEPOWER:	175	HP



TRAILER SPECIFICATIONS			
DESCRIPTION	DIM.	UM	KEY
L.O.A.:	241	IN.	A
KEEL LENGTH:	224	IN.	B
HEIGHT, KEEL TO BOW EYE:	29	IN.	C
TRANSOM TO INNNER STRAKE	15	IN.	D-1
STEP AT KEEL	2	IN.	D-2
BEAM, FULL:	96	IN.	E
TRANSOM WIDTH AT CHINES:	82	IN.	F
CHINE WIDTH:	4	IN.	G
BEAM, OUTER STRAKE WIDTH:	56	IN.	H
OUTER STRAKE WIDTH:	3	IN.	I
BEAM, INNER STRAKE:	34-3/4	IN.	J
INNER STRAKE WIDTH:	3	IN.	K
VERTICAL DIM., KEEL TO CHINE	9-1/4	IN.	L
STRAP LOCATION AFT:	112	IN.	M.
STRAP LOCATON FRONT:	136	IN.	N.

DRAWINGS FOR REFERENCE ONLY NOT TO SCALE



TRAILER/ LIFT SPECIFICATIONS

MODEL: **220 Viper/ 231 Bay Fox**

SEAFOX
BOAT WORKS

GENERAL SPECIFICATIONS

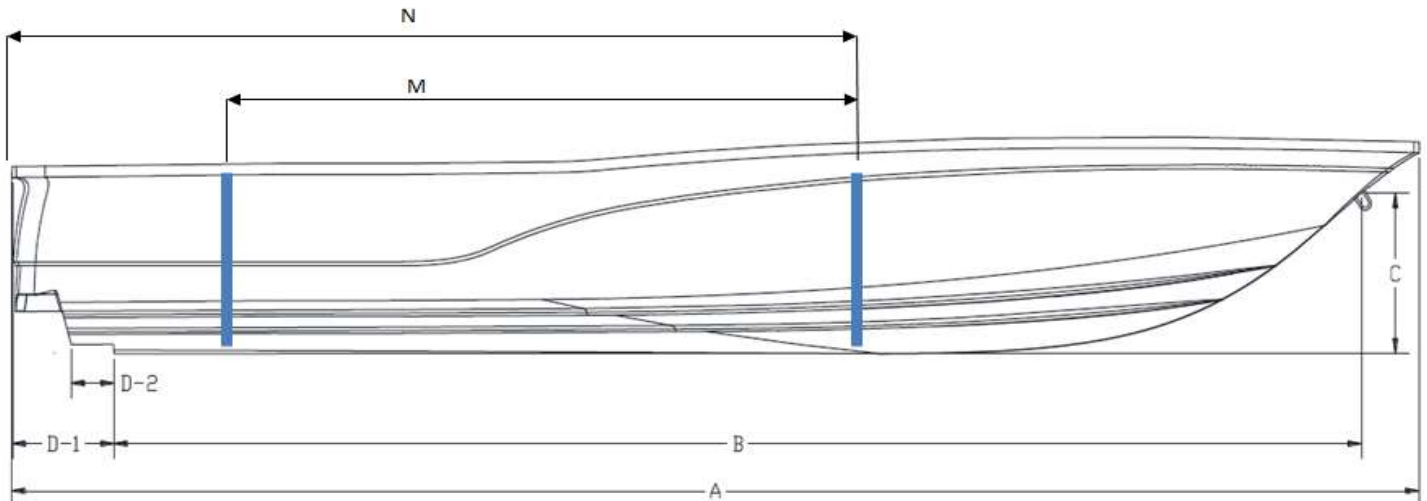
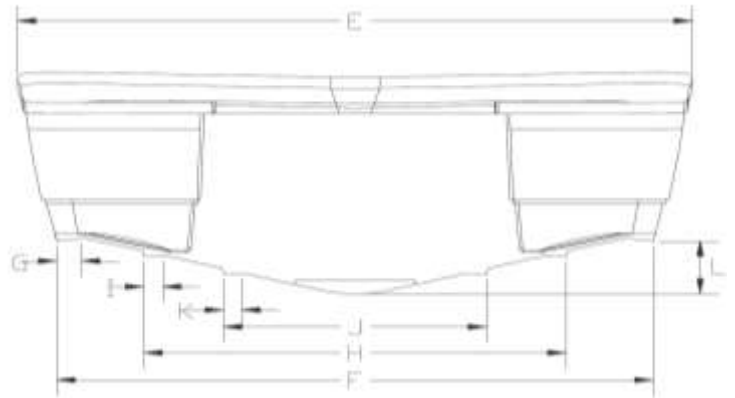
L.O.A.:	268	IN.
BEAM:	102	IN.
WEIGHT LESS ENGINE:	2150	LBS.
WEIGHT MAX:	3300	LBS.
DEADRISE:	15	DEG.
DRAFT:	13	IN.
TRANSOM ANGLE:	15	DEG.
TRANSOM HEIGHT:	25	IN.
PERSONS CAP.:	8	PERSONS
PERS/LBS. GEAR:	2100	LBS.
MAX. HORSEPOWER:	250	HP



TRAILER SPECIFICATIONS

DESCRIPTION	DIM.	UM	KEY
L.O.A.:	268	IN.	A
KEEL LENGTH:	233-1/4	IN.	B
HEIGHT, KEEL TO BOW EYE:	29-1/2	IN.	C
TRANSOM TO INNER STRAKE	21	IN.	D-1
STEP AT KEEL	9	IN.	D-2
BEAM, FULL:	102	IN.	E
TRANSOM WIDTH AT CHINES:	88	IN.	F
CHINE WIDTH:	3-5/8	IN.	G
BEAM, OUTER STRAKE WIDTH:	62-3/16	IN.	H
OUTER STRAKE WIDTH:	2-3/4	IN.	I
BEAM, INNER STRAKE:	38-3/4	IN.	J
INNER STRAKE WIDTH:	2-3/8	IN.	K
VERTICAL DIM., KEEL TO CHINE	9-1/2	IN.	L
STRAP LOCATION AFT:	124	IN.	M.
STRAP LOCATON FRONT:	160	IN.	N.
CETER OF GRAVITY FROM KEEL/ TRANSOM	67.5	IN.	

DRAWINGS FOR REFERENCE ONLY NOT TO SCALE



TRAILER/ LIFT SPECIFICATIONS

MODEL: 240 Viper/ 251 Bay Fox

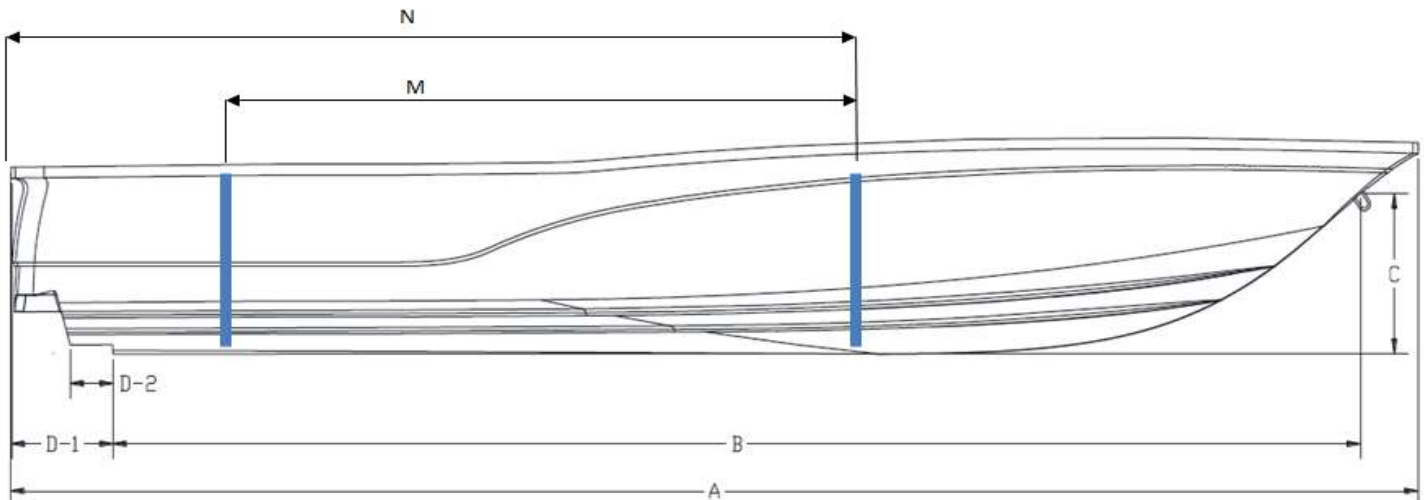
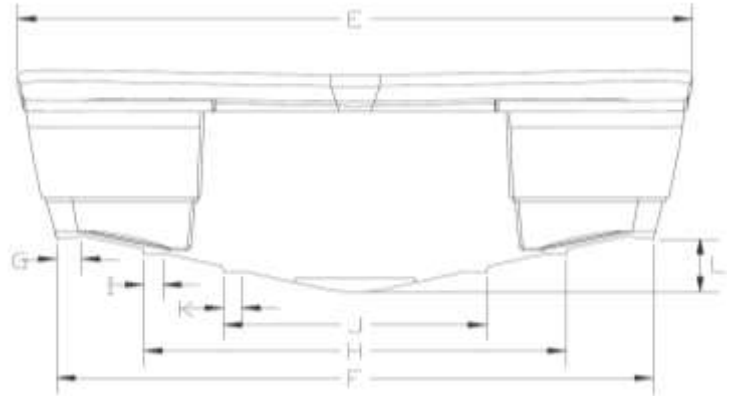
SEAFOX
BOAT WORKS

GENERAL SPECIFICATIONS		
L.O.A.:	292	IN.
BEAM:	102	IN.
WEIGHT LESS ENGINE:	2500	LBS.
WEIGHT MAX:	3650	LBS.
DEADRISE:	15	DEG.
DRAFT:	13	IN.
TRANSOM ANGLE:	15	DEG.
TRANSOM HEIGHT:	25	IN.
PERSONS CAP.:	8	PERSONS
PERS/LBS. GEAR:	2200	LBS.
MAX. HORSEPOWER:	300	HP



TRAILER SPECIFICATIONS			
DESCRIPTION	DIM.	UM	KEY
L.O.A.:	292	IN.	A
KEEL LENGTH:	257-1/4	IN.	B
HEIGHT, KEEL TO BOW EYE:	29-1/2	IN.	C
TRANSOM TO INNER STRAKE	21	IN.	D-1
STEP AT KEEL	9	IN.	D-2
BEAM, FULL:	102	IN.	E
TRANSOM WIDTH AT CHINES:	88	IN.	F
CHINE WIDTH:	3-5/8	IN.	G
BEAM, OUTER STRAKE WIDTH:	62-3/16	IN.	H
OUTER STRAKE WIDTH:	2-3/4	IN.	I
BEAM, INNER STRAKE:	38-3/4	IN.	J
INNER STRAKE WIDTH:	2-3/8	IN.	K
VERTICAL DIM., KEEL TO CHINE	9-1/2	IN.	L
STRAP LOCATION AFT:	148	IN.	M.
STRAP LOCATON FRONT:	184	IN.	N.

DRAWINGS FOR REFERENCE ONLY NOT TO SCALE



TRAILER/ LIFT SPECIFICATIONS

MODEL: **186 Commander**

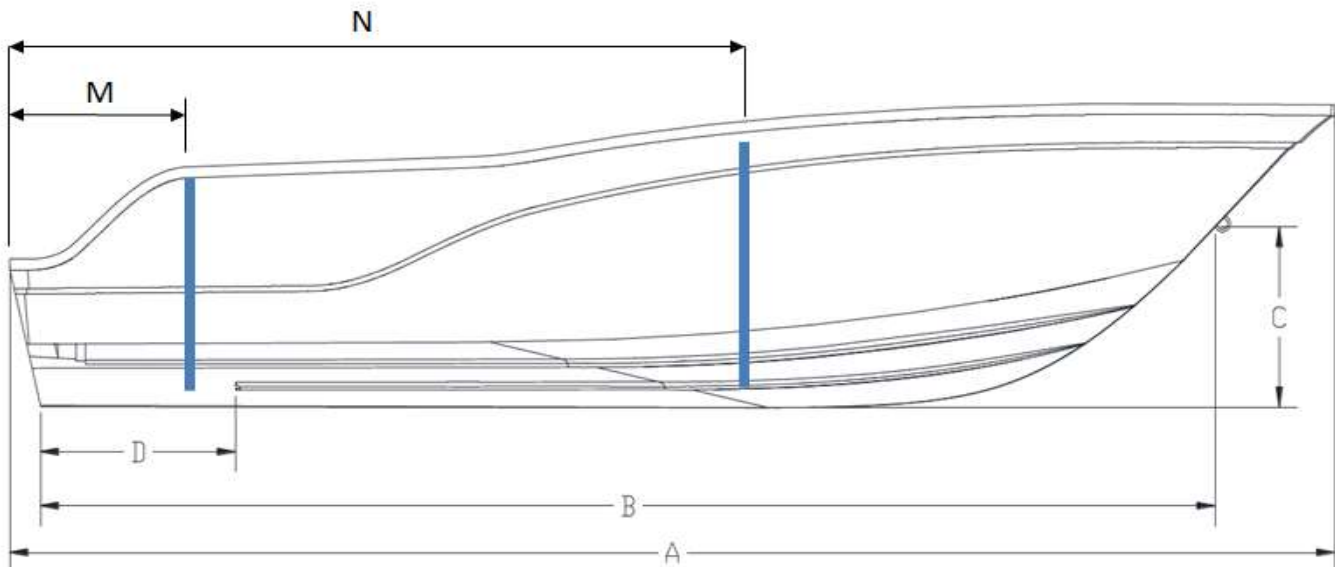
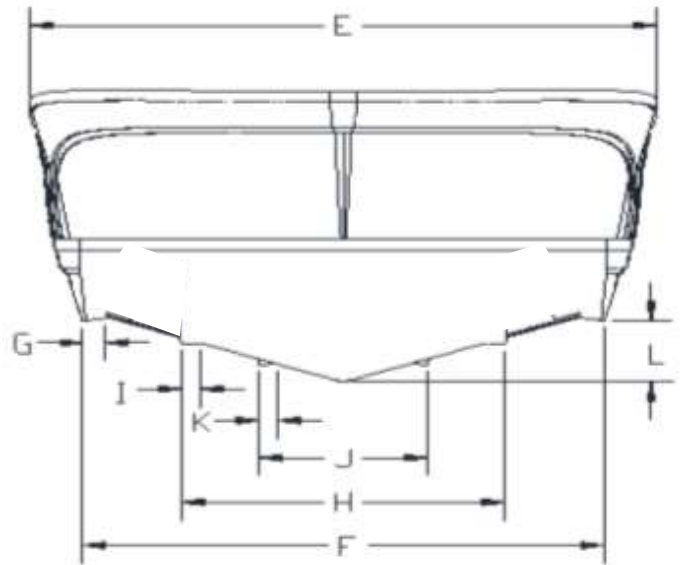
SEAFOX
BOAT WORKS

GENERAL SPECIFICATIONS		
L.O.A.:	220	IN.
BEAM:	96	IN.
WEIGHT LESS ENGINE:	2200	LBS.
WEIGHT MAX:	2750	LBS.
DEADRISE:	18	DEG.
DRAFT:	13	IN.
TRANSOM ANGLE:	14	DEG.
TRANSOM HEIGHT:	25	IN.
PERSONS CAP.:	7	PERSONS
PERS/LBS. GEAR:	1700	LBS.
MAX. HORSEPOWER:	150	HP



DRAWINGS FOR REFERENCE ONLY NOT TO SCALE

TRAILER SPECIFICATIONS			
DESCRIPTION	DIM.	UM	KEY
L.O.A.:	220	IN.	A
KEEL LENGTH:	196	IN.	B
HEIGHT, KEEL TO BOW EYE:	34-1/2	IN.	C
TRANSOM TO INNNER STRAKE	40-1/2	IN.	D
BEAM, FULL:	96	IN.	E
TRANSOM WIDTH AT CHINES:	77	IN.	F
CHINE WIDTH:	4	IN.	G
BEAM, OUTER STRAKE WIDTH:	49-1/2	IN.	H
OUTER STRAKE WIDTH:	3	IN.	I
BEAM, INNER STRAKE:	25	IN.	J
INNER STRAKE WIDTH:	2-1/2	IN.	K
VERTICAL DIM., KEEL TO CHINE	10-1/2	IN.	L
STRAP LOCATION AFT:	17	IN.	M.
STRAP LOCATON FRONT:	118	IN.	N.



drawing does not represent actual boat- refrence only

TRAILER/ LIFT SPECIFICATIONS

MODEL: **206 Commander**

SEAFOX

BOAT WORKS

GENERAL SPECIFICATIONS

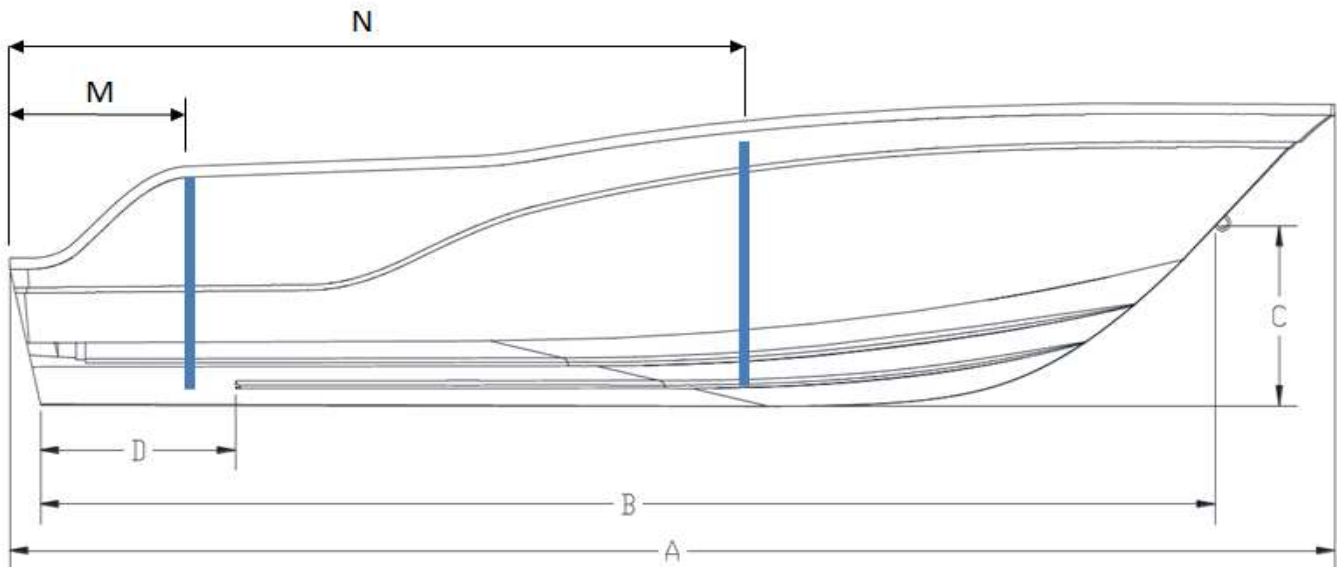
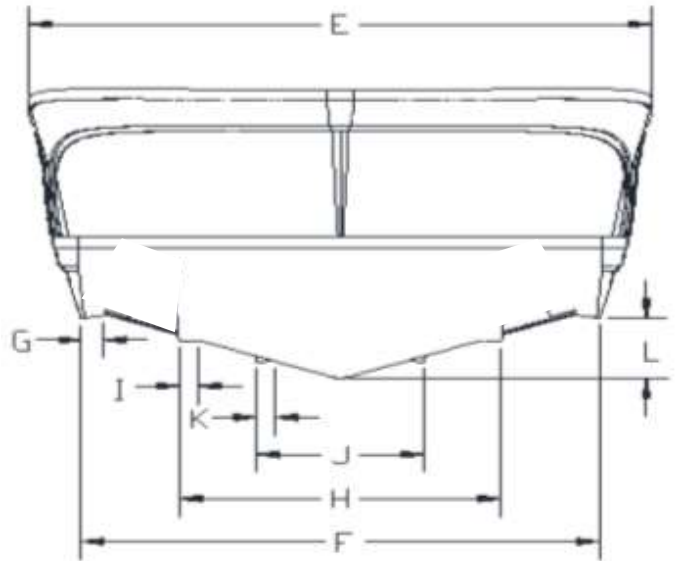
L.O.A.:	244	IN.
BEAM:	96	IN.
WEIGHT LESS ENGINE:	2500	LBS.
WEIGHT MAX:	3225	LBS.
DEADRISE:	18	DEG.
DRAFT:	13	IN.
TRANSOM ANGLE:	14	DEG.
TRANSOM HEIGHT:	25	IN.
PERSONS CAP.:	7	PERSONS
PERS/LBS. GEAR:	2613	LBS.
MAX. HORSEPOWER:	175	HP



DRAWINGS FOR REFERENCE ONLY NOT TO SCALE

TRAILER SPECIFICATIONS

DESCRIPTION	DIM.	UM	KEY
L.O.A.:	244	IN.	A
KEEL LENGTH:	220	IN.	B
HEIGHT, KEEL TO BOW EYE:	34-1/2	IN.	C
TRANSOM TO INNER STRAKE	64.5	IN.	D
BEAM, FULL:	96	IN.	E
TRANSOM WIDTH AT CHINES:	77	IN.	F
CHINE WIDTH:	4	IN.	G
BEAM, OUTER STRAKE WIDTH:	49-1/2	IN.	H
OUTER STRAKE WIDTH:	3	IN.	I
BEAM, INNER STRAKE:	25	IN.	J
INNER STRAKE WIDTH:	2-1/2	IN.	K
VERTICAL DIM., KEEL TO CHINE	10-1/2	IN.	L
STRAP LOCATION AFT:	17	IN.	M.
STRAP LOCATON FRONT:	142	IN.	N.



drawing does not represent actual boat- refrence only

TRAILER/ LIFT SPECIFICATIONS

MODEL: 228 Commander

Shares Hull with 226 Traveler

SEAFOX

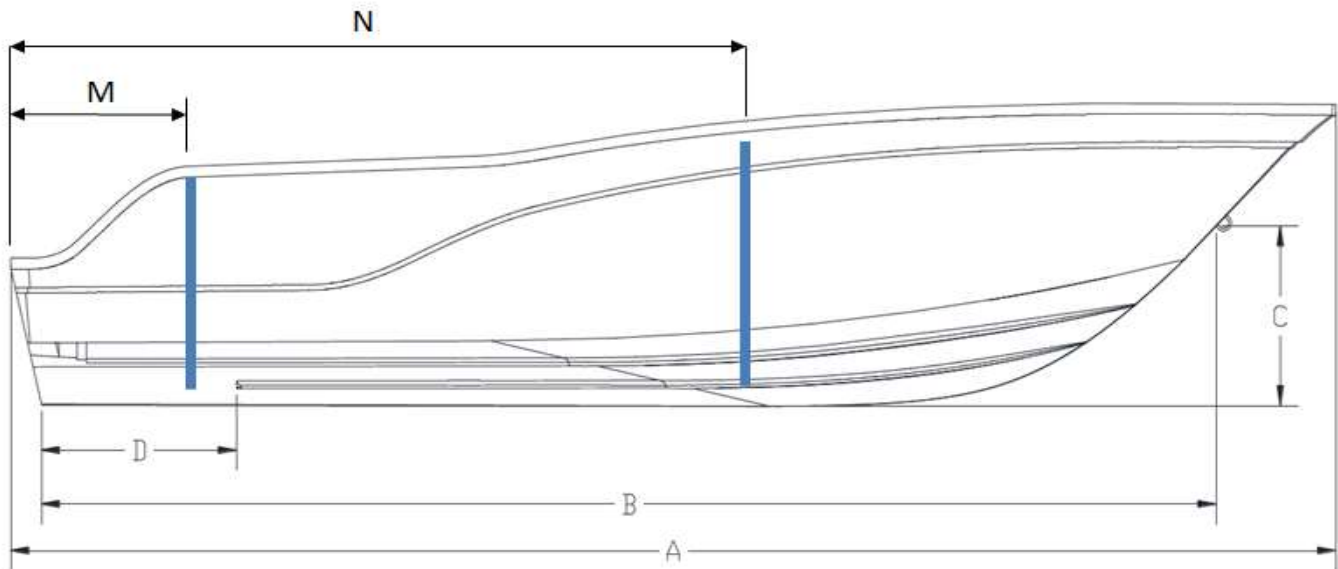
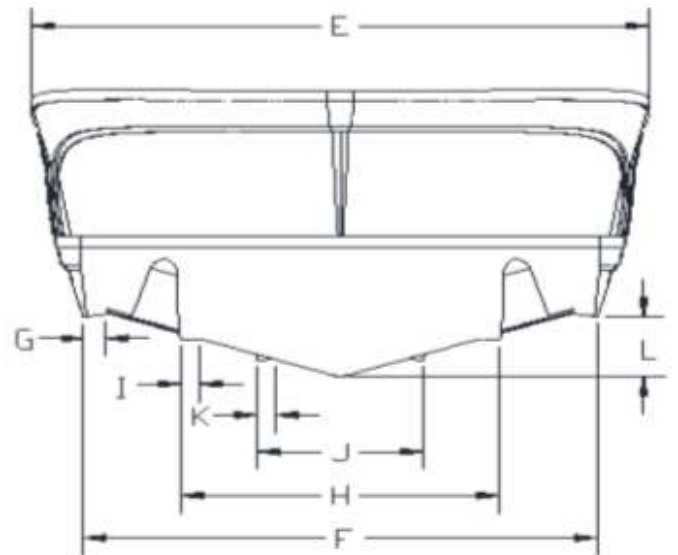
BOAT WORKS



GENERAL SPECIFICATIONS		
L.O.A.:	267	IN.
BEAM:	101	IN.
WEIGHT LESS ENGINE:	2700	LBS.
WEIGHT MAX:	3500	LBS.
DEADRISE:	18	DEG.
DRAFT:	13	IN.
TRANSOM ANGLE:	14	DEG.
TRANSOM HEIGHT:	25	IN.
PERSONS CAP.:	8	PERSONS
PERS/LBS. GEAR:	2200	LBS.
MAX. HORSEPOWER:	250	HP

DRAWINGS FOR REFERENCE ONLY NOT TO SCALE

TRAILER SPECIFICATIONS			
DESCRIPTION	DIM.	UM	KEY
L.O.A.:	267	IN.	A
KEEL LENGTH:	234	IN.	B
HEIGHT, KEEL TO BOW EYE:	32-1/2	IN.	C
TRANSOM TO INNNER STRAKE	39	IN.	D
BEAM, FULL:	102	IN.	E
TRANSOM WIDTH AT CHINES:	83	IN.	F
CHINE WIDTH:	3-5/8	IN.	G
BEAM, OUTER STRAKE WIDTH:	51-5/8	IN.	H
OUTER STRAKE WIDTH:	3	IN.	I
BEAM, INNER STRAKE:	27	IN.	J
INNER STRAKE WIDTH:	3	IN.	K
VERTICAL DIM., KEEL TO CHINE	11-1/2	IN.	L
STRAP LOCATION AFT:	24	IN.	M.
STRAP LOCATON FRONT:	135	IN.	N.



TRAILER/ LIFT SPECIFICATIONS

MODEL: 248 Commander

Shares Hull with 248/ 249 Avenger

SEAFOX

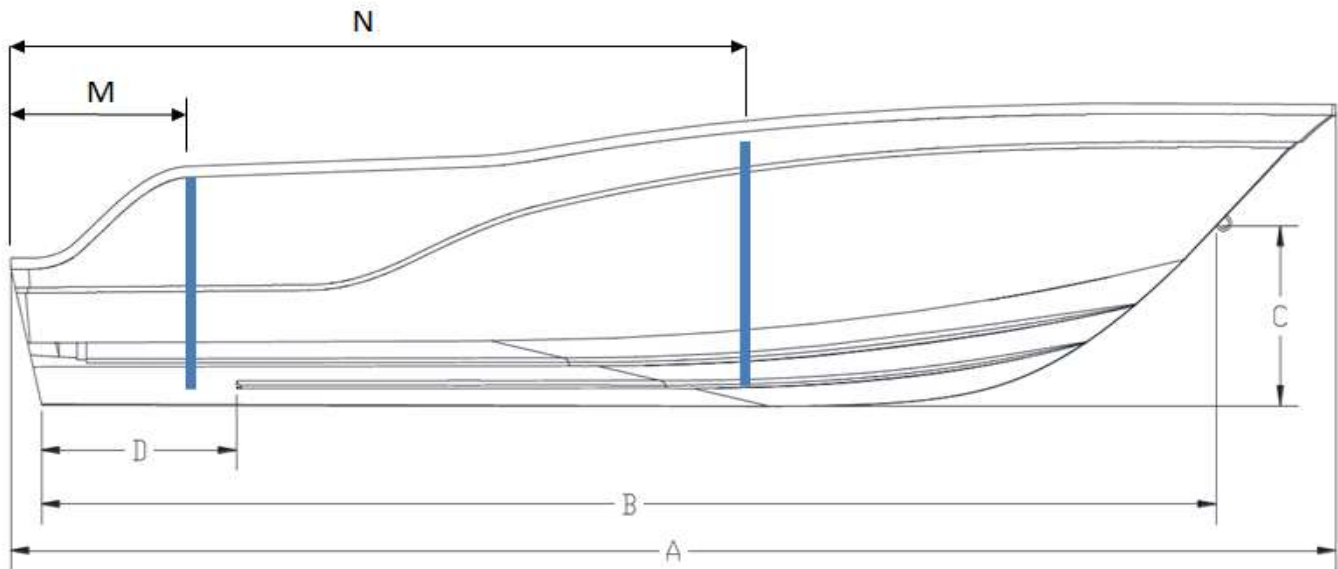
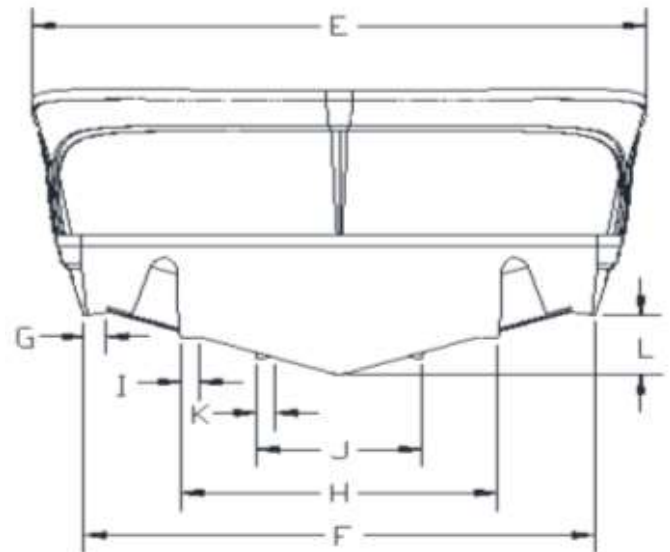
BOAT WORKS

GENERAL SPECIFICATIONS		
L.O.A.:	292	IN.
BEAM:	102	IN.
WEIGHT LESS ENGINE:	3400	LBS.
WEIGHT MAX:	4200	LBS.
DEADRISE:	18	DEG.
DRAFT:	13	IN.
TRANSOM ANGLE:	14	DEG.
TRANSOM HEIGHT:	25	IN.
PERSONS CAP.:	10	PERSONS
PERS/LBS. GEAR:	2500	LBS.
MAX. HORSEPOWER:	300	HP



DRAWINGS FOR REFERENCE ONLY NOT TO SCALE

TRAILER SPECIFICATIONS			
DESCRIPTION	DIM.	UM	KEY
L.O.A.:	292	IN.	A
KEEL LENGTH:	259	IN.	B
HEIGHT, KEEL TO BOW EYE:	32-1/2	IN.	C
TRANSOM TO INNNER STRAKE	39	IN.	D
BEAM, FULL:	102	IN.	E
TRANSOM WIDTH AT CHINES:	83	IN.	F
CHINE WIDTH:	3-5/8	IN.	G
BEAM, OUTER STRAKE WIDTH:	51-5/8	IN.	H
OUTER STRAKE WIDTH:	3	IN.	I
BEAM, INNER STRAKE:	27	IN.	J
INNER STRAKE WIDTH:	3	IN.	K
VERTICAL DIM., KEEL TO CHINE	11-1/2	IN.	L
STRAP LOCATION AFT:	24	IN.	M.
STRAP LOCATON FRONT:	170	IN.	N.



TRAILER/ LIFT SPECIFICATIONS

MODEL: 268 Commander

Shared Hull with 268 Traveler & 266 Commander

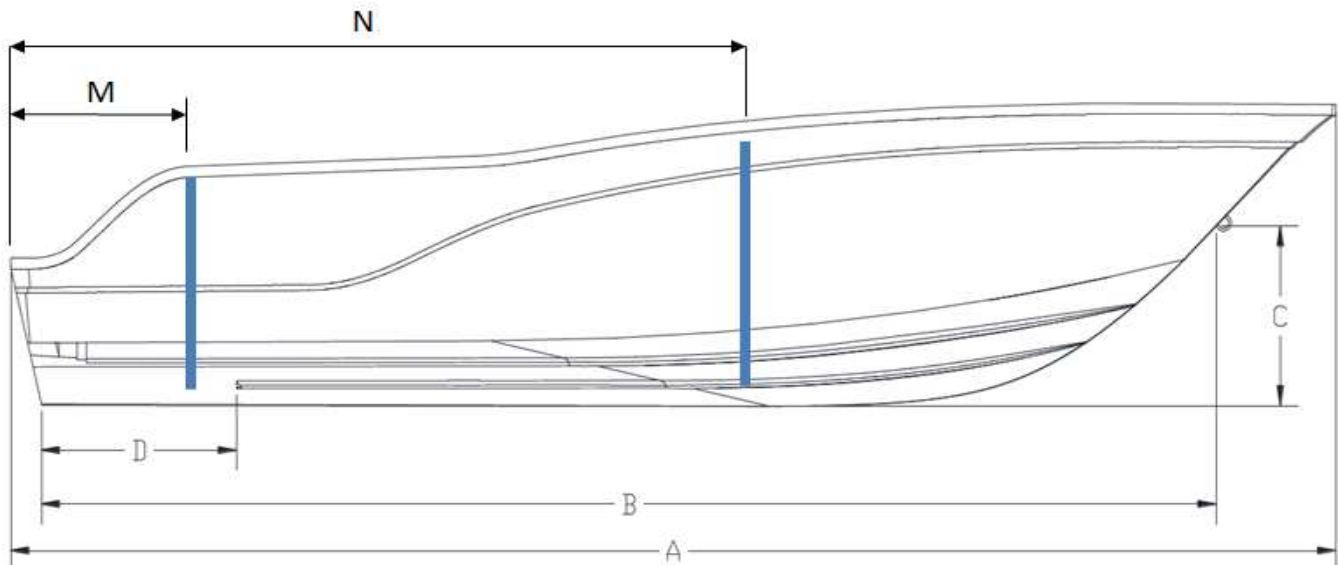
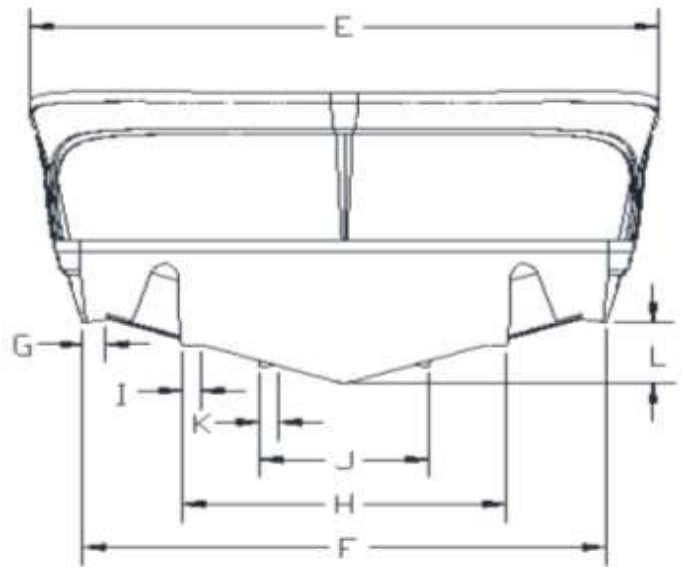
SEAFOX
BOAT WORKS

GENERAL SPECIFICATIONS		
L.O.A.:	312	IN.
BEAM:	111	IN.
WEIGHT LESS ENGINE:	4200	LBS.
WEIGHT MAX:	4900	LBS.
DEADRISE:	20	DEG.
DRAFT:	16	IN.
TRANSOM ANGLE:	15	DEG.
TRANSOM HEIGHT:	30	IN.
PERSONS CAP.:	YACHT CERT.	
PERS/LBS. GEAR:	YACHT CERT.	
MAX. HORSEPOWER:	400	HP



DRAWINGS FOR REFERENCE ONLY NOT TO SCALE

TRAILER SPECIFICATIONS			
DESCRIPTION	DIM.	UM	KEY
L.O.A.:	312	IN.	A
KEEL LENGTH:	278	IN.	B
HEIGHT, KEEL TO BOW EYE:	42	IN.	C
TRANSOM TO INNER STRAKE	43	IN.	D
BEAM, FULL:	111	IN.	E
TRANSOM WIDTH AT CHINES:	94	IN.	F
CHINE WIDTH:	4-1/2	IN.	G
BEAM, OUTER STRAKE WIDTH:	60-3/8	IN.	H
OUTER STRAKE WIDTH:	3-1/2	IN.	I
BEAM, INNER STRAKE:	33-3/4	IN.	J
INNER STRAKE WIDTH:	2-3/4	IN.	K
VERTICAL DIM., KEEL TO CHINE	13	IN.	L
STRAP LOCATION AFT:	28	IN.	M.
STRAP LOCATION FRONT:	180	IN.	N.



TRAILER/ LIFT SPECIFICATIONS

MODEL: 268 Traveler

Shared Hull with 266 & 268 Commander

SEA FOX

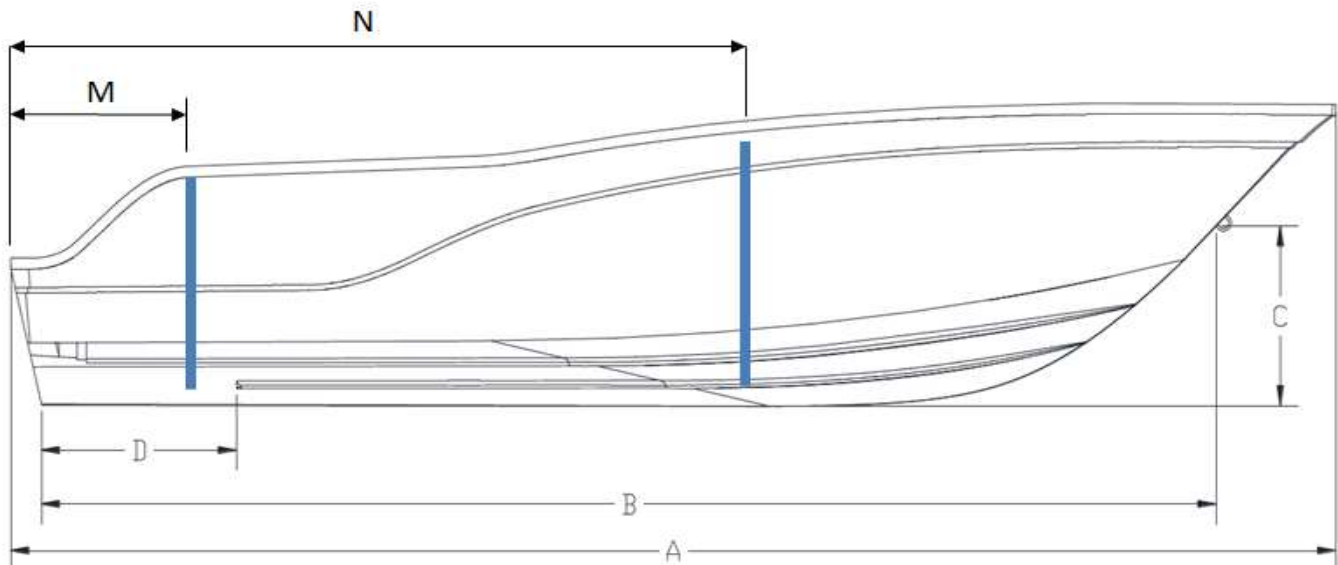
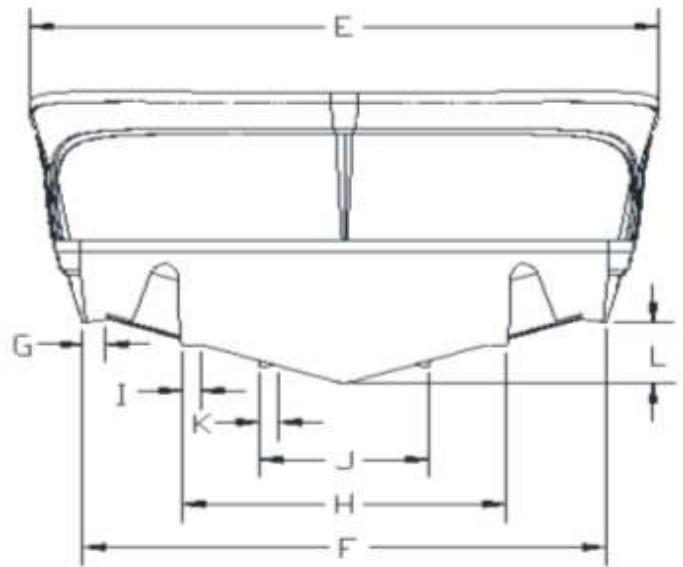
BOAT WORKS

GENERAL SPECIFICATIONS		
L.O.A.:	312	IN.
BEAM:	111	IN.
WEIGHT LESS ENGINE:	4200	LBS.
WEIGHT MAX:	4900	LBS.
DEADRISE:	20	DEG.
DRAFT:	16	IN.
TRANSOM ANGLE:	15	DEG.
TRANSOM HEIGHT:	30	IN.
PERSONS CAP.:	YACHT CERT.	
PERS/LBS. GEAR:	YACHT CERT.	
MAX. HORSEPOWER:	400	HP



DRAWINGS FOR REFERENCE ONLY NOT TO SCALE

TRAILER SPECIFICATIONS			
DESCRIPTION	DIM.	UM	KEY
L.O.A.:	312	IN.	A
KEEL LENGTH:	278	IN.	B
HEIGHT, KEEL TO BOW EYE:	42	IN.	C
TRANSOM TO INNNER STRAKE	43	IN.	D
BEAM, FULL:	111	IN.	E
TRANSOM WIDTH AT CHINES:	94	IN.	F
CHINE WIDTH:	4-1/2	IN.	G
BEAM, OUTER STRAKE WIDTH:	60-3/8	IN.	H
OUTER STRAKE WIDTH:	3-1/2	IN.	I
BEAM, INNER STRAKE:	33-3/4	IN.	J
INNER STRAKE WIDTH:	2-3/4	IN.	K
VERTICAL DIM., KEEL TO CHINE	13	IN.	L
STRAP LOCATION AFT:	28	IN.	M.
STRAP LOCATION FRONT:	180	IN.	N.



TRAILER/ LIFT SPECIFICATIONS

MODEL: 288 Commander

Shared Hull with 288 Traveler

GENERAL SPECIFICATIONS		
L.O.A.:	336	IN.
BEAM:	116	IN.
WEIGHT LESS ENGINE:	5000	LBS.
WEIGHT MAX:	6500	LBS.
DEADRISE:	18	DEG.
DRAFT:	20	IN.
TRANSOM ANGLE:	15	DEG.
TRANSOM HEIGHT:	30	IN.
PERSONS CAP.:	YACHT CERT.	
PERS/LBS. GEAR:	YACHT CERT.	
MAX. HORSEPOWER:	600	HP

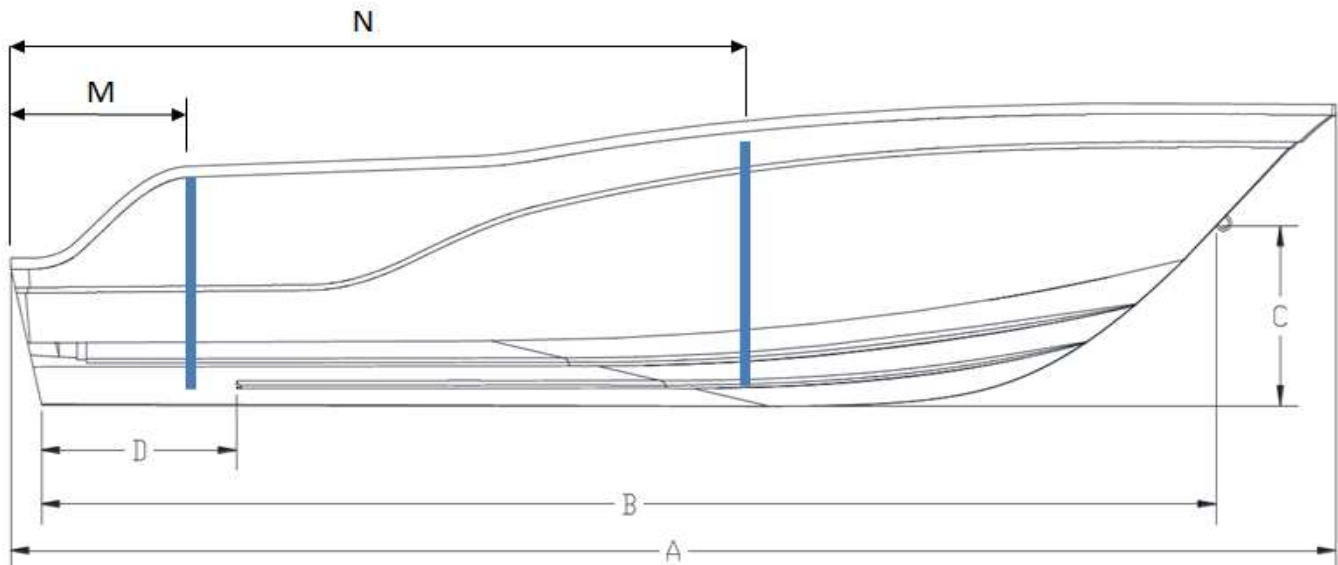
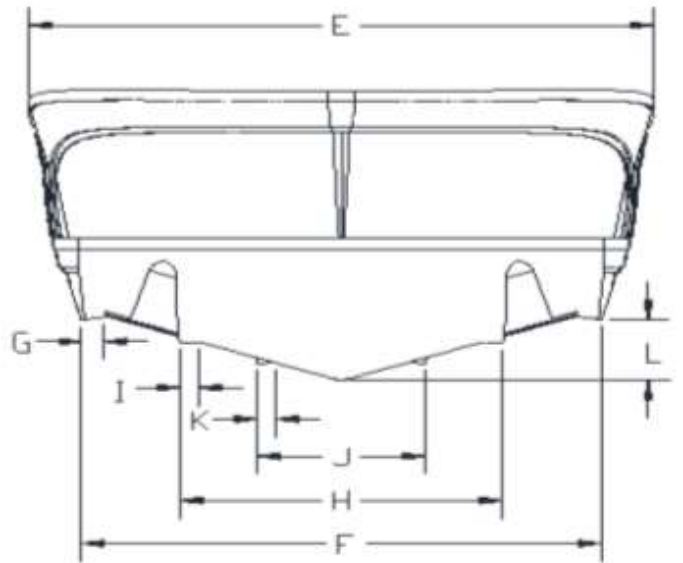
SEAFOX

BOAT WORKS



DRAWINGS FOR REFERENCE ONLY NOT TO SCALE

TRAILER SPECIFICATIONS			
DESCRIPTION	DIM.	UM	KEY
L.O.A.:	336	IN.	A
KEEL LENGTH:	295	IN.	B
HEIGHT, KEEL TO BOW EYE:	38	IN.	C
TRANSOM TO INNNER STRAKE	49	IN.	D
BEAM, FULL:	116	IN.	E
TRANSOM WIDTH AT CHINES:	97	IN.	F
CHINE WIDTH:	4-3/4	IN.	G
BEAM, OUTER STRAKE WIDTH:	62	IN.	H
OUTER STRAKE WIDTH:	3	IN.	I
BEAM, INNER STRAKE:	35	IN.	J
INNER STRAKE WIDTH:	3	IN.	K
VERTICAL DIM., KEEL TO CHINE	13-1/2	IN.	L
STRAP LOCATION AFT:	30	IN.	M.
STRAP LOCATION FRONT:	185	IN.	N.



SEA FOX

BOAT WORKS

TRAILER/ LIFT SPECIFICATIONS

MODEL: 288 Traveler

Shared hull with 288 Commander

GENERAL SPECIFICATIONS

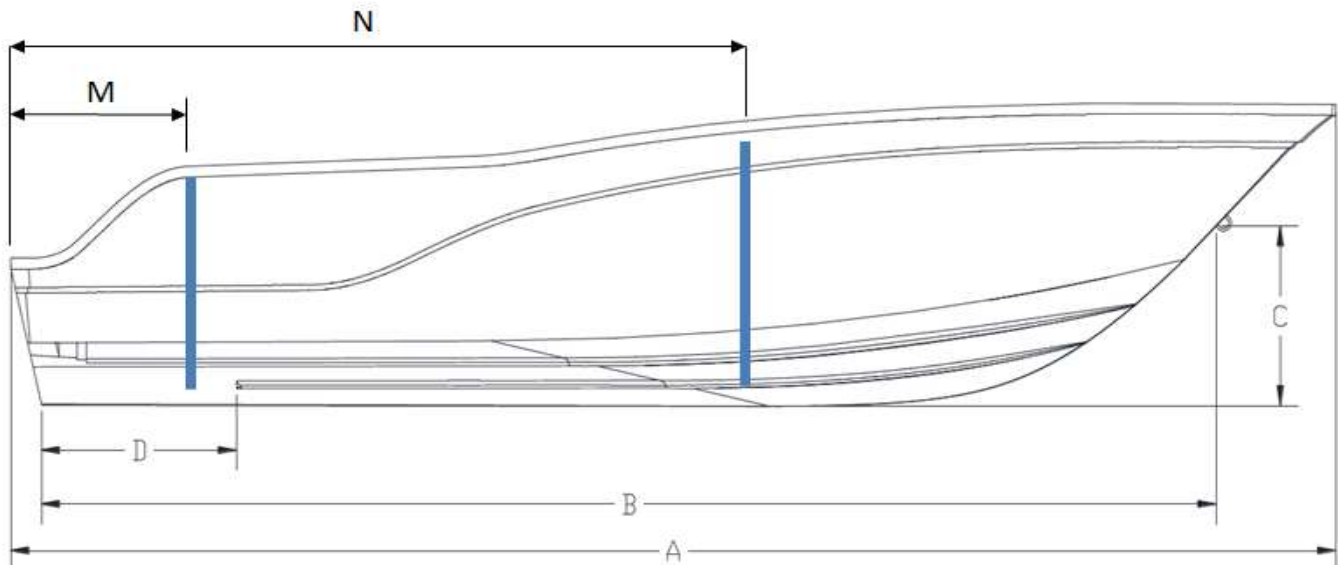
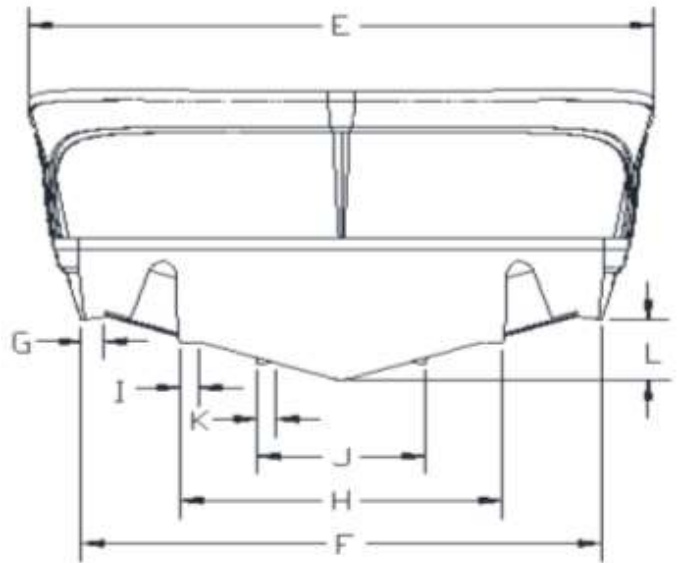
L.O.A.:	336	IN.
BEAM:	116	IN.
WEIGHT LESS ENGINE:	5000	LBS.
WEIGHT MAX:	6500	LBS.
DEADRISE:	18	DEG.
DRAFT:	20	IN.
TRANSOM ANGLE:	15	DEG.
TRANSOM HEIGHT:	30	IN.
PERSONS CAP.:	YACHT CERT.	
PERS/LBS. GEAR:	YACHT CERT.	
MAX. HORSEPOWER:	600	HP



DRAWINGS FOR REFERENCE ONLY NOT TO SCALE

TRAILER SPECIFICATIONS

DESCRIPTION	DIM.	UM	KEY
L.O.A.:	336	IN.	A
KEEL LENGTH:	295	IN.	B
HEIGHT, KEEL TO BOW EYE:	38	IN.	C
TRANSOM TO INNER STRAKE	49	IN.	D
BEAM, FULL:	116	IN.	E
TRANSOM WIDTH AT CHINES:	97	IN.	F
CHINE WIDTH:	4-3/4	IN.	G
BEAM, OUTER STRAKE WIDTH:	62	IN.	H
OUTER STRAKE WIDTH:	3	IN.	I
BEAM, INNER STRAKE:	35	IN.	J
INNER STRAKE WIDTH:	3	IN.	K
VERTICAL DIM., KEEL TO CHINE	13-1/2	IN.	L
STRAP LOCATION AFT:	30	IN.	M.
STRAP LOCATION FRONT:	185	IN.	N.



TRAILER/ LIFT SPECIFICATIONS

MODEL: **328 Commander**

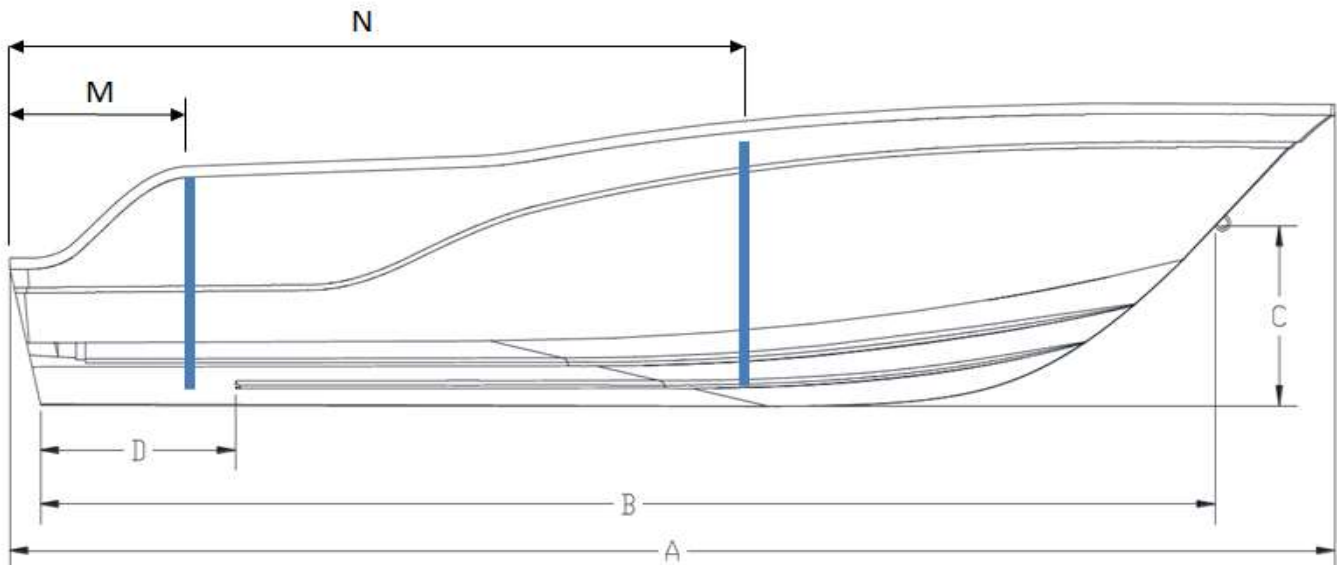
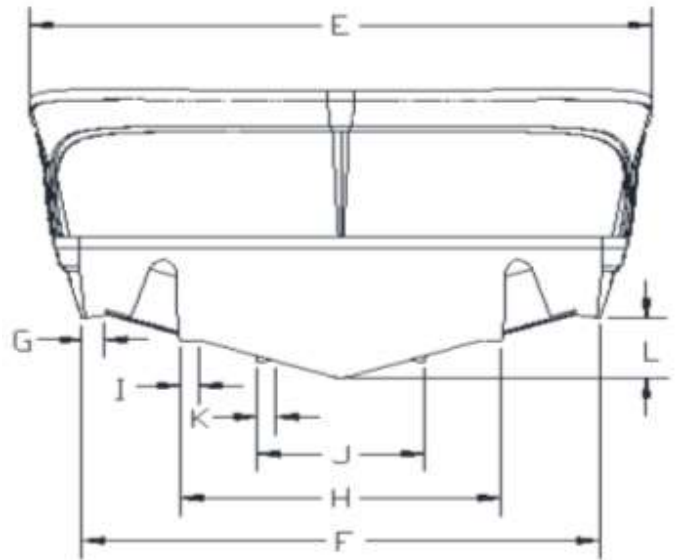
SEA FOX
BOAT WORKS



GENERAL SPECIFICATIONS		
L.O.A.:	384	IN.
BEAM:	128	IN.
WEIGHT LESS ENGINE:	9000	LBS.
WEIGHT MAX:	14325	LBS.
DEADRISE:	22-1/2	DEG.
DRAFT:	23-1/2	IN.
TRANSOM ANGLE:	15	DEG.
TRANSOM HEIGHT:	35	IN.
PERSONS CAP.:	YACHT CERT.	
PERS/LBS. GEAR:	YACHT CERT.	
MAX. HORSEPOWER:	700	HP

DRAWINGS FOR REFERENCE ONLY NOT TO SCALE

TRAILER SPECIFICATIONS			
DESCRIPTION	DIM.	UM	KEY
L.O.A.:	384	IN.	A
KEEL LENGTH:	339	IN.	B
HEIGHT, KEEL TO BOW EYE:	47	IN.	C
TRANSOM TO INNNER STRAKE	66	IN.	D
BEAM, FULL:	128	IN.	E
TRANSOM WIDTH AT CHINES:	106	IN.	F
CHINE WIDTH:	4	IN.	G
BEAM, OUTER STRAKE WIDTH:	68	IN.	H
OUTER STRAKE WIDTH:	3	IN.	I
BEAM, INNER STRAKE:	39	IN.	J
INNER STRAKE WIDTH:	3	IN.	K
VERTICAL DIM., KEEL TO CHINE	18-1/2	IN.	L
STRAP LOCATION AFT:	38	IN.	M.
STRAP LOCATION FRONT:	225	IN.	N.



TRAILER/ LIFT SPECIFICATIONS

MODEL: **368 Commander**

SEA FOX

BOAT WORKS



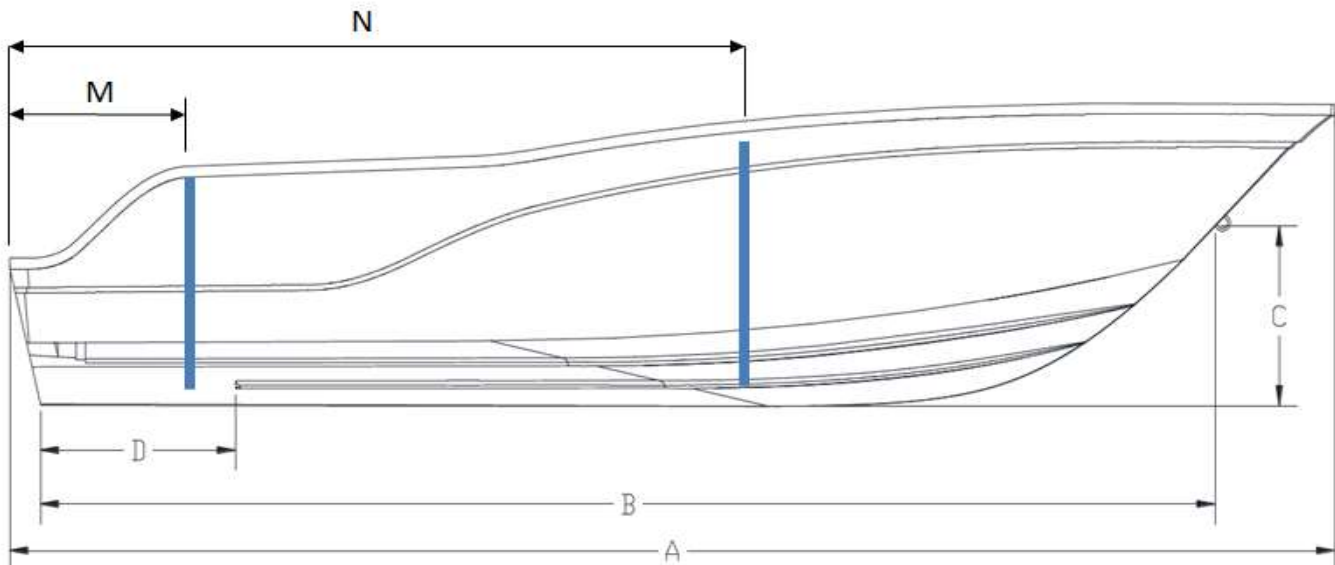
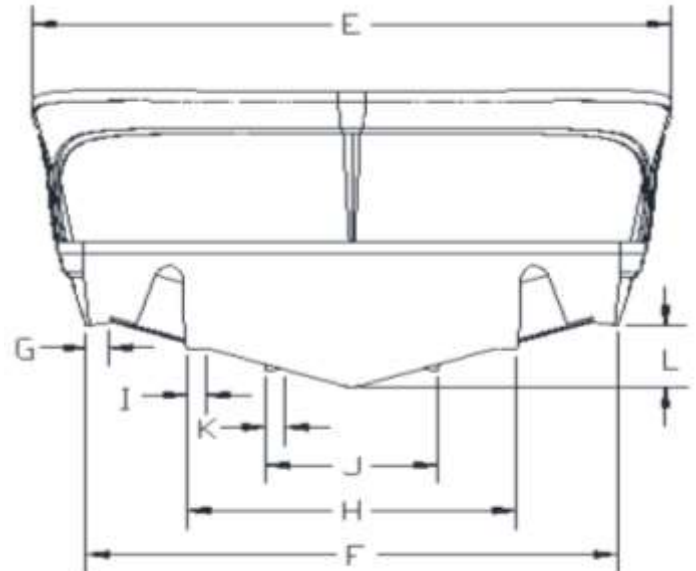
DRAWINGS FOR REFERENCE ONLY NOT TO SCALE

GENERAL SPECIFICATIONS

L.O.A.:	434	IN.
BEAM:	132	IN.
WEIGHT LESS ENGINE:	13982	LBS.
WEIGHT MAX:	20655	LBS.
DEADRISE:	23	DEG.
DRAFT:	23-1/2	IN.
TRANSOM ANGLE:	15	DEG.
TRANSOM HEIGHT:	37-1/2	IN.
PERSONS CAP.:	YACHT CERT.	
PERSONS /LBS. GEAR:	YACHT CERT.	
MAX. HORSEPOWER:	1050	HP

TRAILER SPECIFICATIONS

DESCRIPTION	DIM.	UM	KEY
L.O.A.:	434"	IN.	A
KEEL LENGTH:	385"	IN.	B
HEIGHT, KEEL TO BOW EYE:	47"	IN.	C
TRANSOM TO INNER STRAKE	75-1/2"	IN.	D
BEAM, FULL:	134"	IN.	E
TRANSOM WIDTH AT CHINES:	110"	IN.	F
CHINE WIDTH:	4"	IN.	G
BEAM, OUTER STRAKE WIDTH:	72-1/2"	IN.	H
OUTER STRAKE WIDTH:	3-1/2"	IN.	I
BEAM, INNER STRAKE:	41"	IN.	J
INNER STRAKE WIDTH:	3"	IN.	K
VERTICAL DIM., KEEL TO CHINE	20-1/2"	IN.	L
STRAP LOCATION AFT:	55"	IN.	M.
STRAP LOCATION FRONT:	245"	IN.	N.



TRAILER/ LIFT SPECIFICATIONS

MODEL: 226/ 228 TRAVELER

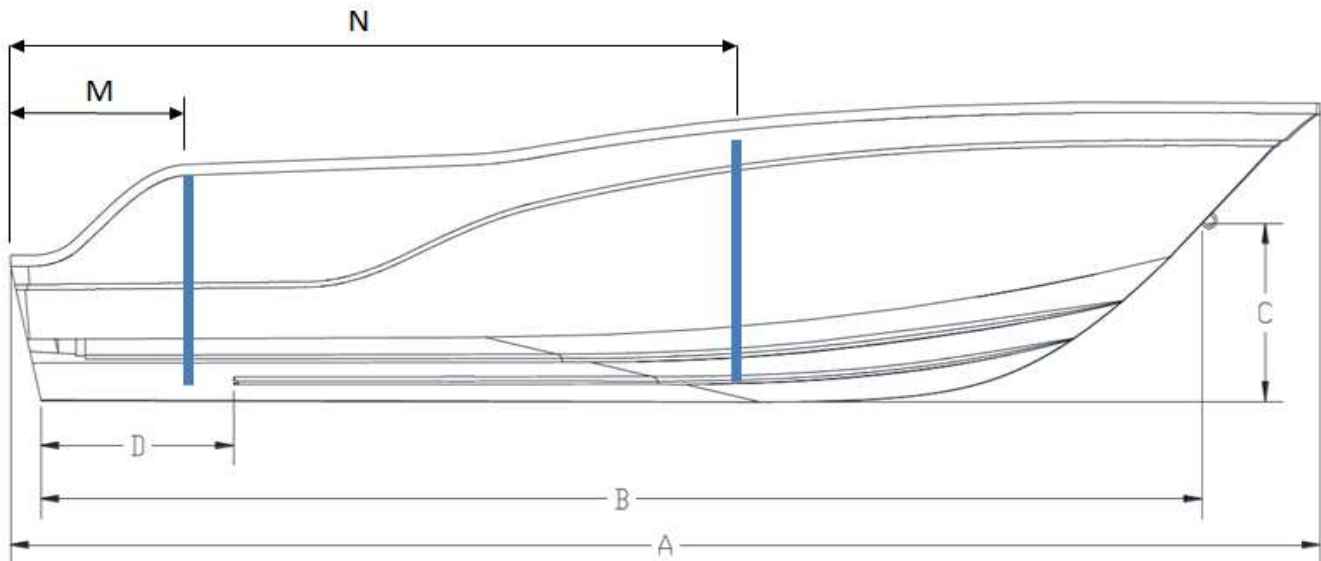
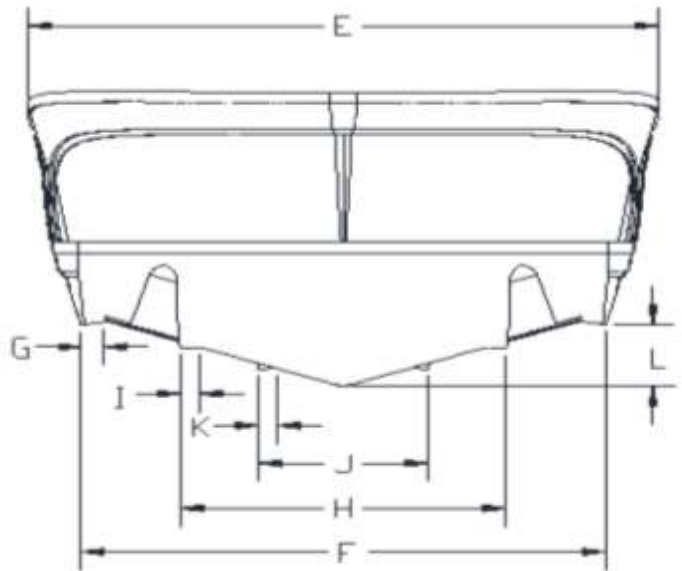
Shares Hull with 226 and 228 Commander



GENERAL SPECIFICATIONS		
L.O.A.:	267	IN.
BEAM:	101	IN.
WEIGHT LESS ENGINE:	2700	LBS.
WEIGHT MAX:	3500	LBS.
DEADRISE:	18	DEG.
DRAFT:	13	IN.
HEIGHT WITH HARD TOP (Keel to Top- Light Folded)	111	IN.
HEIGHT WITH ARCH (Keel to Top- Light Folded)	109	IN.
TRANSOM ANGLE:	14	DEG.
TRANSOM HEIGHT:	25	IN.
PERSONS CAP.:	8	PERSONS
PERS/LBS. GEAR:	2200	LBS.
MAX. HORSEPOWER:	250	HP

DRAWINGS FOR REFERENCE ONLY NOT TO SCALE

TRAILER SPECIFICATIONS			
DESCRIPTION	DIM.	UM	KEY
L.O.A.:	267	IN.	A
KEEL LENGTH:	234	IN.	B
HEIGHT, KEEL TO BOW EYE:	32-1/2	IN.	C
TRANSOM TO INNNER STRAKE	39	IN.	D
BEAM, FULL:	102	IN.	E
TRANSOM WIDTH AT CHINES:	83	IN.	F
CHINE WIDTH:	3-5/8	IN.	G
BEAM, OUTER STRAKE WIDTH:	51-5/8	IN.	H
OUTER STRAKE WIDTH:	3	IN.	I
BEAM, INNER STRAKE:	27	IN.	J
INNER STRAKE WIDTH:	3	IN.	K
VERTICAL DIM., KEEL TO CHINE	11-1/2	IN.	L
STRAP LOCATION AFT:	24	IN.	M.
STRAP LOCATON FRONT:	135	IN.	N.



TRAILER/ LIFT SPECIFICATIONS

MODEL: 249 AVENGER/ 248 Side Console

Shares Hull with 246 and 248 Commander

GENERAL SPECIFICATIONS

L.O.A.:	292	IN.
BEAM:	102	IN.
WEIGHT LESS ENGINE:	3700	LBS.
WEIGHT MAX:	4400	LBS.
DEADRISE:	18	DEG.
DRAFT:	13	IN.
TRANSOM ANGLE:	14	DEG.
TRANSOM HEIGHT:	25	IN.
PERSONS CAP.:	10	PERSONS
PERS/LBS. GEAR:	2500	LBS.
MAX. HORSEPOWER:	300	HP

SEAFOX

BOAT WORKS



DRAWINGS FOR REFERENCE ONLY NOT TO SCALE

TRAILER SPECIFICATIONS

DESCRIPTION	DIM.	UM	KEY
L.O.A.:	292	IN.	A
KEEL LENGTH:	259	IN.	B
HEIGHT, KEEL TO BOW EYE:	32-1/2	IN.	C
TRANSOM TO INNNER STRAKE	39	IN.	D
BEAM, FULL:	102	IN.	E
TRANSOM WIDTH AT CHINES:	83	IN.	F
CHINE WIDTH:	3-5/8	IN.	G
BEAM, OUTER STRAKE WIDTH:	51-5/8	IN.	H
OUTER STRAKE WIDTH:	3	IN.	I
BEAM, INNER STRAKE:	27	IN.	J
INNER STRAKE WIDTH:	3	IN.	K
VERTICAL DIM., KEEL TO CHINE	11-1/2	IN.	L
STRAP LOCATION AFT:	24	IN.	M.
STRAP LOCATON FRONT:	170	IN.	N.

